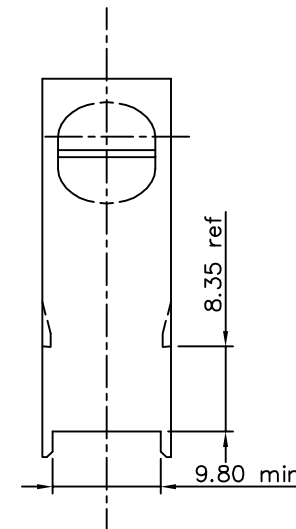
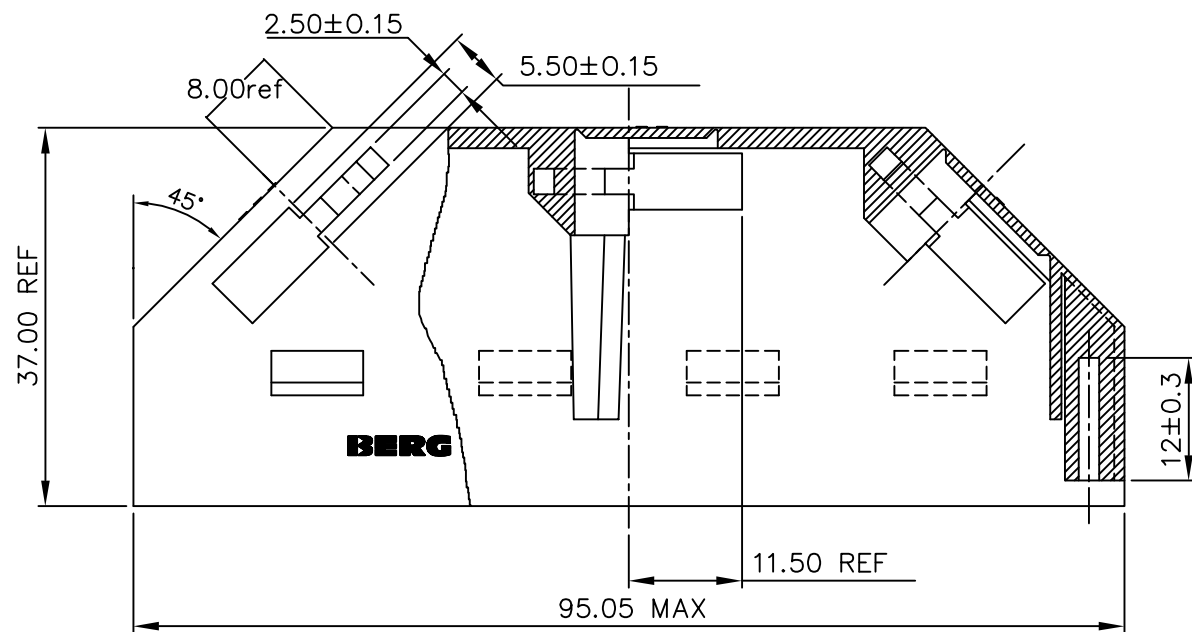
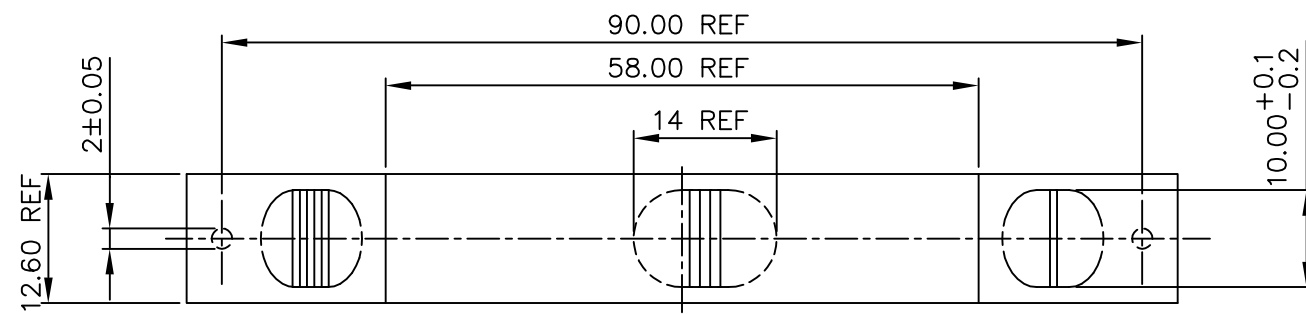


PRODUCT NUMBER	MATERIAL	COLOUR	FLAME RETARDANT
65155-001	PPO	BLACK RAL 9005	UL-94-V1
65155-002	PPO	GREY RAL 7035	UL-94-V1

NOTES:-

1. THIS PRODUCT MEETS EUROPEAN UNION DIRECTIVES AND OTHER COUNTRY REGULATIONS AS DESCRIBED IN GS-22-008.
2. LEADFREE OR RoHS DIRECTIVE LABELLING TO BE PROVIDED AS PER GS-14-920.
3. " LF " SUFFIX TO PRODUCT NUMBER FOR RoHS COMPATIBLE/ LEADFREE VERSION.
4. PARTS WITH AND WITHOUT "LF " SUFFIX ARE FORM-FIT AND FUNCTIONALLY IDENTICAL. " LF " SUFFIX PROVIDED FOR PART NUMBER STANDARDISATION OF PART THAT MEETS RoHS REQUIREMENTS.
5. THE THREE CABLE ENTRIES ARE IDENTICAL



mat'l. code		surface		tolerance		projection		product family	
SEE TABLE		ISO 1302		ISO 406		ISO 101		COVER UNIVERSAL	
ltr	ecn no	dr	date	tolerances unless otherwise specified		mm		title	
H	H00418	MVI	1990-09-07	angles		linear		65155	
J	H80467	LGI	1998-07-23	linear		scale		CUSTOMER Drawing	
K	05-0248	MINI	2005-11-22	linear		scale		sheet 1 of 1	
L	06-0068	MINI	2006-06-01	linear		scale		size A2	
sheet index		revision sheet		L		1		type	